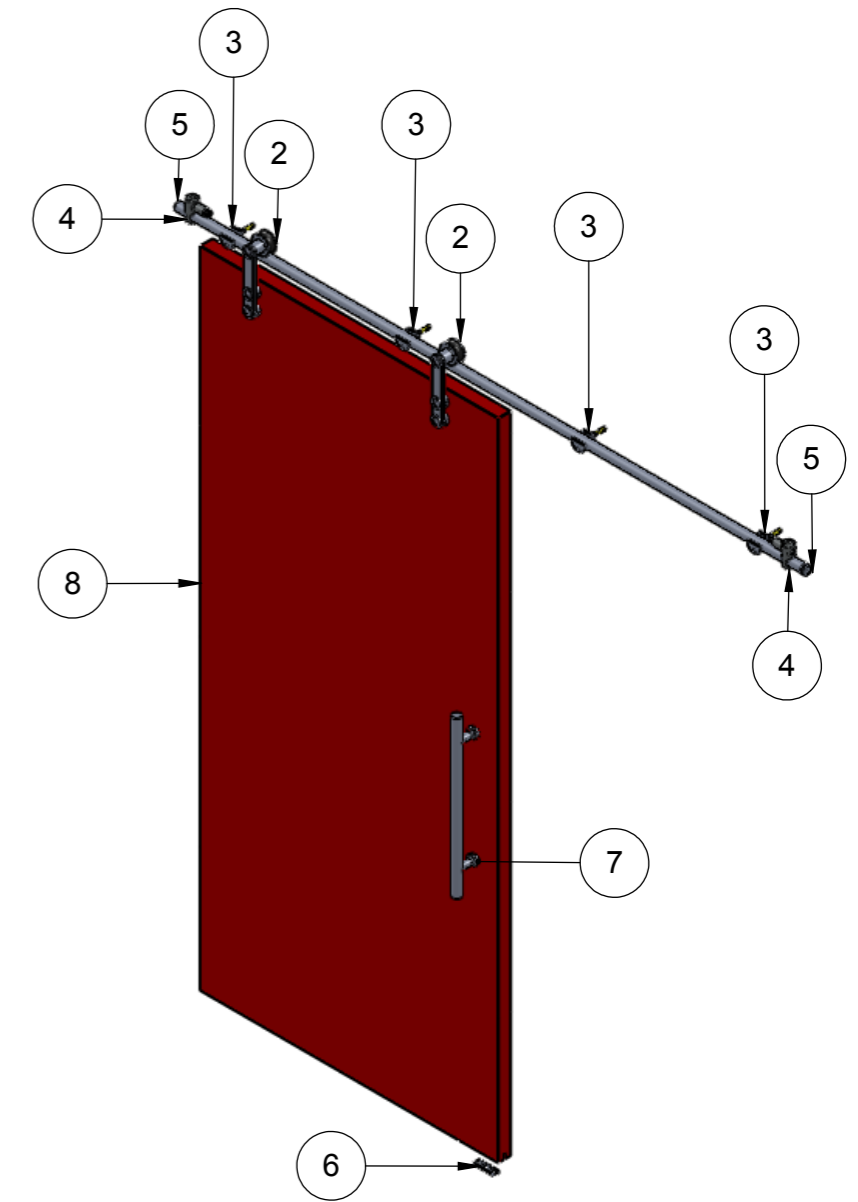
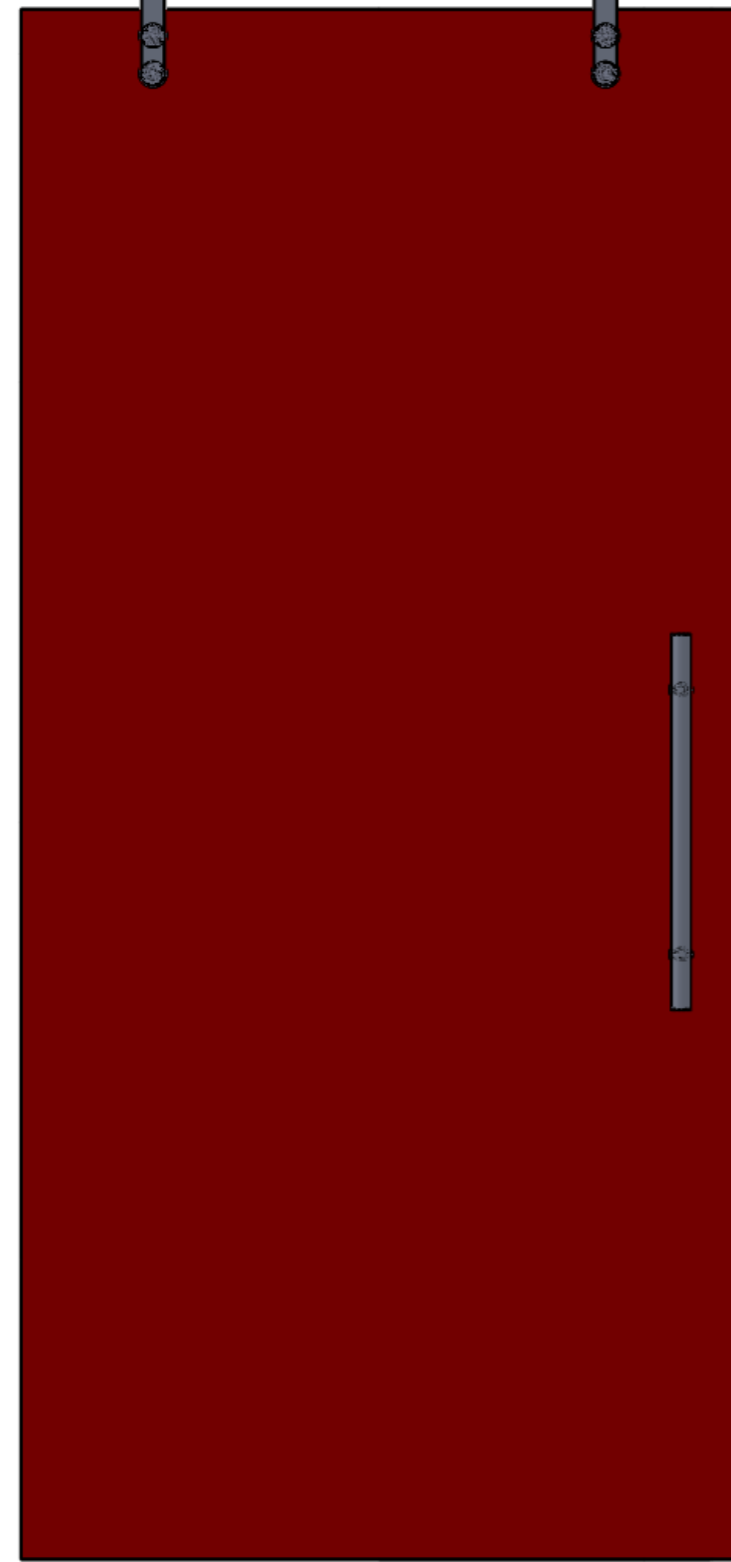
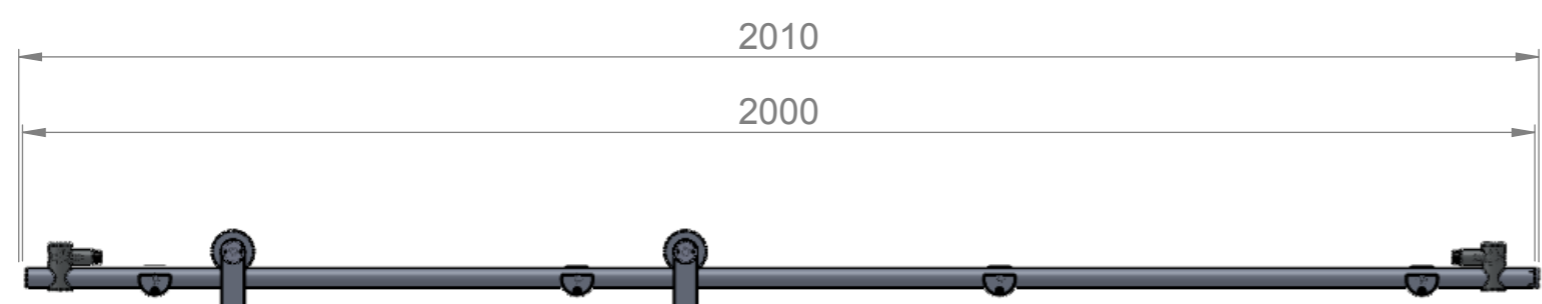


RevNo	Revision note	Date	Approved by	Checked by
A	Approved	2012-01-20	Jonny	Jonny



8	1	Door	Material		C-10082
7	1	Door handle	Stainless steel		C-10083
6	1	Floor guide	Stainless steel		C-10014
5	2	End cap	Stainless steel		C-10077
4	2	Door stopper	Stainless steel		C-10076
3	4	Clamp fixing for track	Stainless steel		C-10049
2	2	Sliding doors roller	Stainless steel		C-10078
1	1	Sliding rail	Stainless steel		C-10079
Itemref	Qty	Title/Name/Designation	Material	Dimension	Article No/Reference

THIS DRAWING IS CONFIDENTIAL, IS THE EXCLUSIVE PROPERTY OF COMPONENTOR AND IS SUBJECT TO RECALL AT ANY TIME. NO UNAUTHORIZED USE, COPY OR DISCLOSURE SHALL BE MADE WITHOUT PRIOR CONSENT IN WRITING.

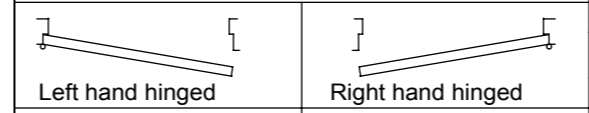


www.componentor.se

Copyright © Componentor AB. All rights reserved.

SIGN. JB	DRAWING SIZE A3	
-------------	--------------------	--

SCALE 1:10	DATE 2012-01-20
---------------	--------------------

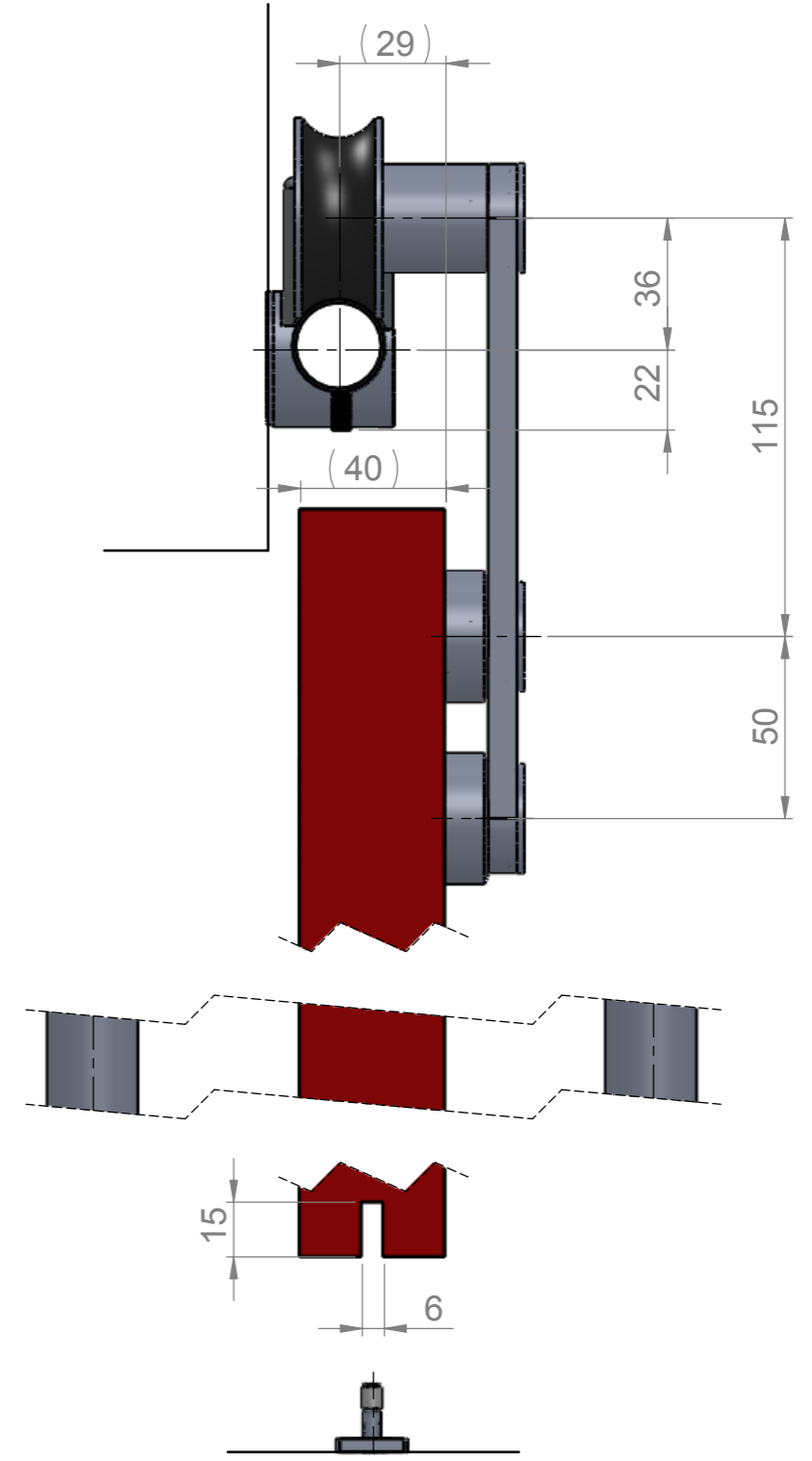
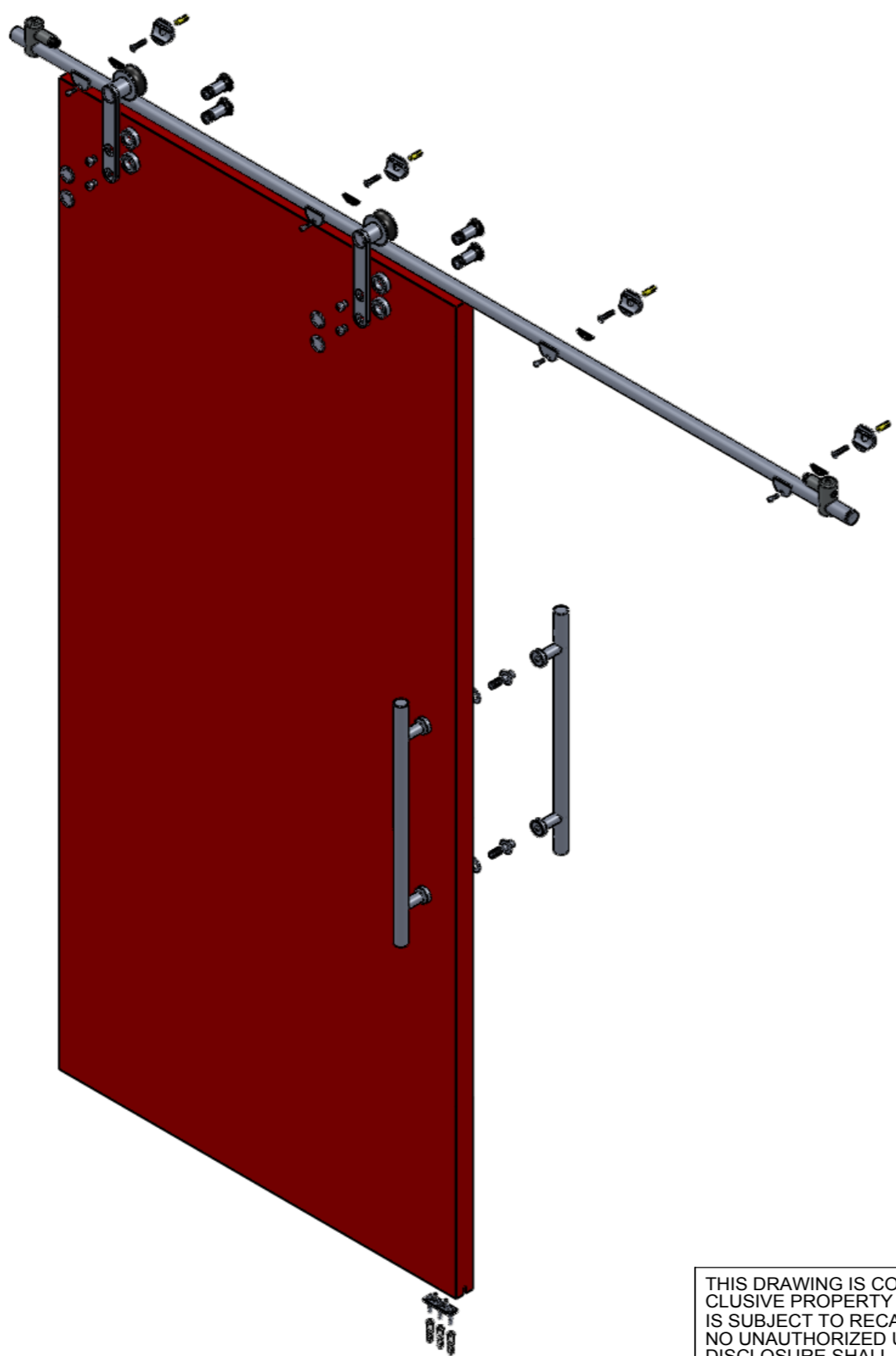


Doorblade fasteners C-10080
Sliding doors

PROJECT NO.	DRAWING TYPE Componentor Comp.
-------------	-----------------------------------

DRAWING NO C-10081	REV. A
-----------------------	-----------

RevNo	Revision note	Date	Approved by	Checked by
A	Approved	2012-01-20	Jonny	Jonny



THIS DRAWING IS CONFIDENTIAL, IS THE EXCLUSIVE PROPERTY OF COMPONENTOR AND IS SUBJECT TO RECALL AT ANY TIME. NO UNAUTHORIZED USE, COPY OR DISCLOSURE SHALL BE MADE WITHOUT PRIOR CONSENT IN WRITING.



www.componentor.se

Doorblade fasteners C-10080
Sliding doors

Copyright © Componentor AB. All rights reserved.

SIGN. JB	DRAWING SIZE A3	
SCALE 1:10	DATE 2012-01-20	
PROJECT NO.	DRAWING TYPE Componentor Comp.	
DRAWING NO. C-10081	REV. A	

