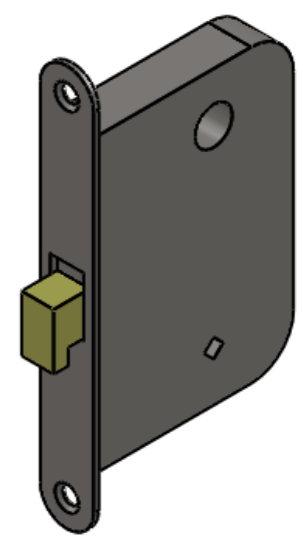
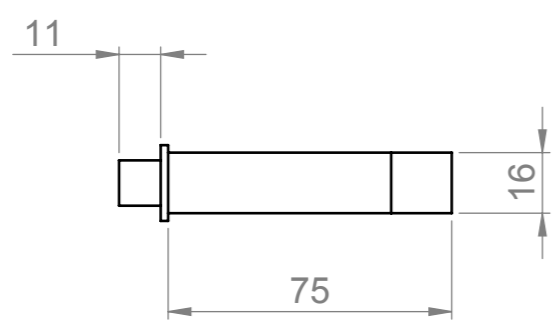
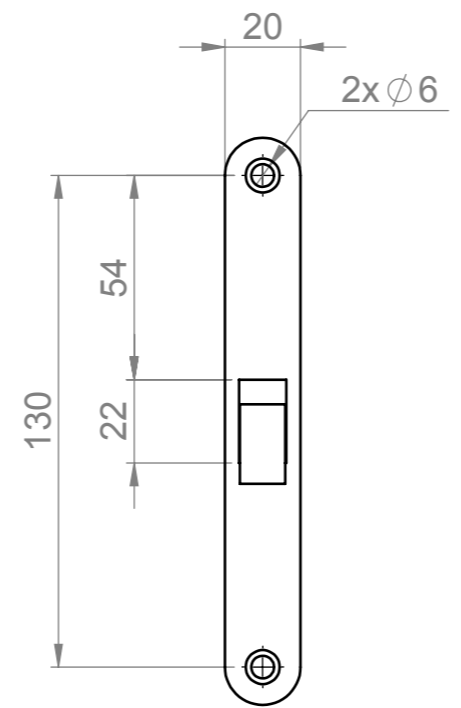
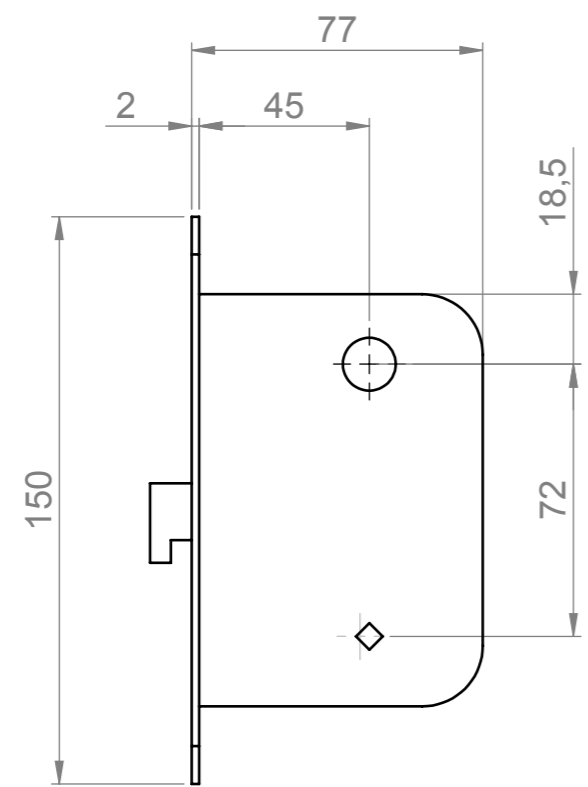


RevNo	Revision note	Date	Approved by	Checked by
A	Approved	2011-11-18	Konsult 1	Konsult 1



THIS DRAWING IS CONFIDENTIAL, IS THE EXCLUSIVE PROPERTY OF COMPONENTOR AND IS SUBJECT TO RECALL AT ANY TIME. NO UNAUTHORIZED USE, COPY OR DISCLOSURE SHALL BE MADE WITHOUT PRIOR CONSENT IN WRITING.

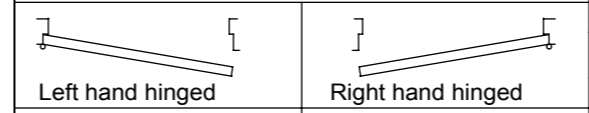


www.componentor.se

Copyright © Componentor AB. All rights reserved.

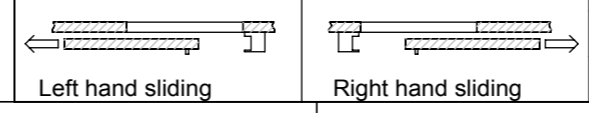
SIGN. JB	DRAWING SIZE A3	
-------------	--------------------	--

SCALE 1:2	DATE 2011-11-18
--------------	--------------------



WC-vred och lås komplett sats  
Skjuddörr

PROJECT NO.	DRAWING TYPE Componentor Comp.
-------------	-----------------------------------



DRAWING NO C-10031-3	REV. A
-------------------------	-----------