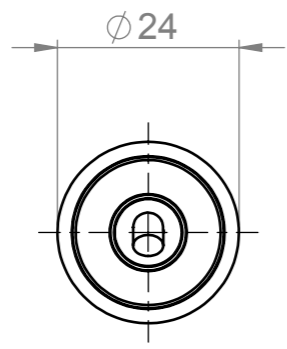
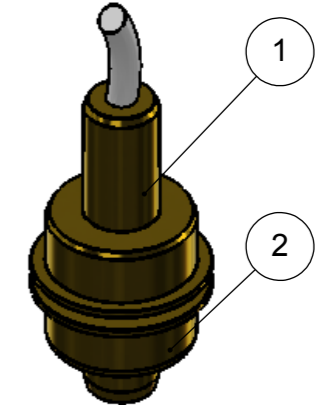
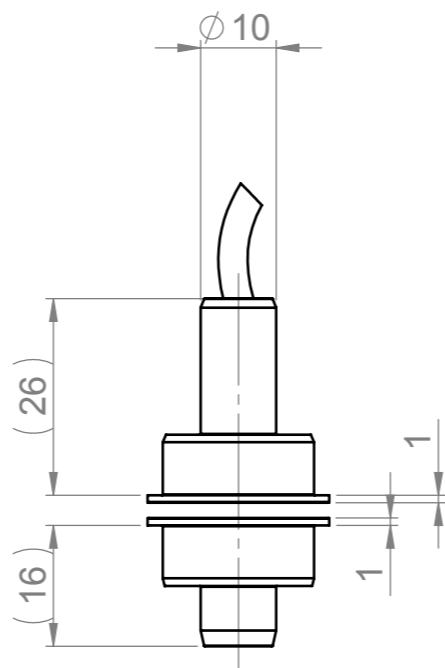
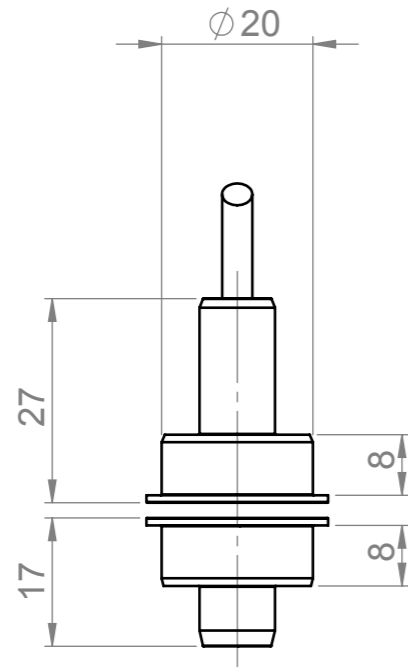




RevNo	Revision note	Date	Approved by	Checked by
B	Approved	JB 2011-03-08	SH 2011-03-08	JB 2011-03-08



<p>THIS DRAWING IS CONFIDENTIAL, IS THE EXCLUSIVE PROPERTY OF COMPONENTOR AND IS SUBJECT TO RECALL AT ANY TIME. NO UNAUTHORIZED USE, COPY OR DISCLOSURE SHALL BE MADE WITHOUT PRIOR CONSENT IN WRITING.</p>	 www.componentor.se		Copyright © Componentor AB. All rights reserved.		
			SIGN. JB	DRAWING SIZE A3	
	Indicator		SCALE 1:1	DATE 2011-03-08	
	Hinged doors		PROJECT NO.	DRAWING TYPE Componentor Comp.	
Magnetic contact		DRAWING NO. C-10038		REV. B	

